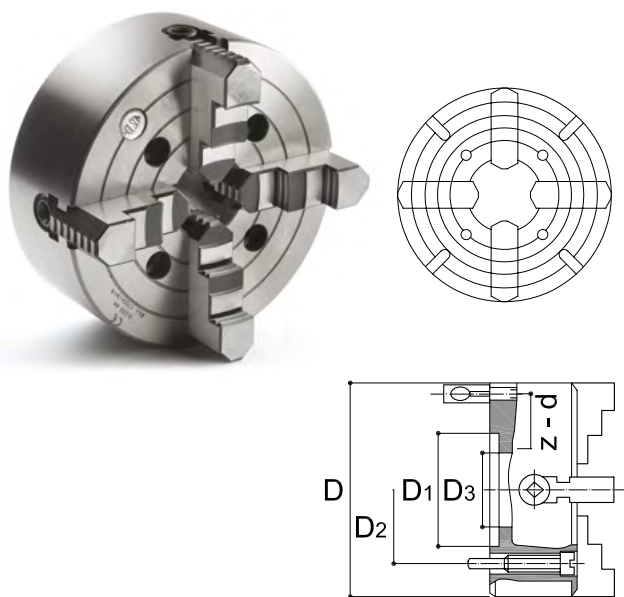


PIATTAFORME CON ATTACCHI INTEGRALI DIRECT MOUNTING INDEPENDENT CHUCKS

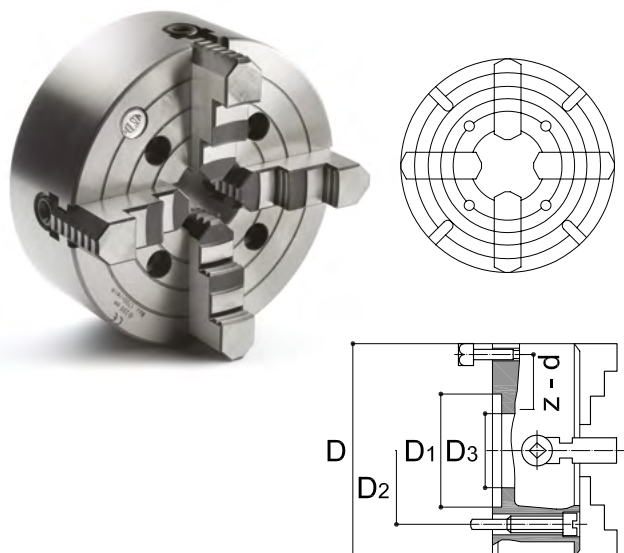
ART. 312Y/ CAMLOCK

- CORPO IN GHISA FINO A MM 800
- GUIDA SEMPLICE
- CORPO IN ACCIAIO DA MM 1000
- GRIFFE BASE NON DISPONIBILI



TIPO CAMLOCK DIN 55029 CON PERNI							
CODICE	MM D	POLLICI	D1	D2	FORO	VITI	€
HOL312YCL040250	250	4	63,513	82,6	56	3-M10 x 1	750,00
HOL312YCL050250	250	5	82,563	104,8	56	6-M12 x 1	750,00
HOL312YCL060250	250	6	106,375	133,4	56	6-M12 x 1	750,00
HOL312YCL060315	315	6	106,375	133,4	75	6-M16 x 1,5	990,00
HOL312YCL060400	400	6	106,375	133,4	75	6-M16 x 1,5	1.200,00
HOL312YCL060500	500	6	106,375	133,4	125	6-M20 x 1,5	1.800,00
HOL312YCL080315	315	8	139,719	171,4	95	6-M20 x 1,5	990,00
HOL312YCL080400	400	8	139,719	171,4	125	6-M20 x 1,5	1.200,00
HOL312YCL080500	500	8	139,719	171,4	125	6-M20 x 1,5	1.800,00
HOL312YCL080630	630	8	139,719	171,4	125	6-M20 x 1,5	2.900,00
HOL312YCL110400	400	11	196,869	235,0	160	6-M22 x 1,5	1.200,00
HOL312YCL110500	500	11	196,869	235,0	160	6-M22 x 1,5	1.800,00
HOL312YCL110630	630	11	196,869	235,0	160	6-M22 x 1,5	2.900,00
HOL312YCL110800	800	11	196,869	235,0	180	6-M22 x 1,5	5.500,00
HOL312YCL150630	630	15	285,775	330,2	180	6-M24 x 1,5	2.900,00
HOL312YCL150800	800	15	285,775	330,2	180	6-M24 x 1,5	5.500,00
HOL312YCL111000	1000	11	196,869	235,0	180	6-M22 x 1,5	10.900,00
HOL312YCL151000	1000	15	285,775	330,2	180	6-M24 x 1,5	10.900,00

ART. 312Y/ VITE E DADO



TIPO DIN 55027 CON VITE E DADO							
CODICE	MM D	POLLICI	D1	D2	FORO	VITI	€
HOL312YD050250	250	5	82,563	104,8	56	4-M10	750,00
HOL312YD060250	250	6	106,375	133,4	75	4-M12	750,00
HOL312YD060315	315	6	106,375	133,4	75	4-M12	990,00
HOL312YD060400	400	6	106,375	133,4	95	4-M16	1.200,00
HOL312YD080250	250	8	139,719	171,4	95	4-M16	750,00
HOL312YD080315	320	8	139,719	171,4	95	4-M16	990,00
HOL312YD080400	400	8	139,719	171,4	125	4-M16	1.200,00
HOL312YD080500	500	8	139,719	171,4	125	4-M16	1.800,00
HOL312YD080630	630	8	139,719	171,4	125	4-M16	2.900,00
HOL312YD110400	400	11	196,869	235,0	160	6-M20	1.200,00
HOL312YD110500	500	11	196,869	235,0	160	6-M20	1.800,00
HOL312YD110630	630	11	196,869	235,0	160	6-M20	2.900,00
HOL312YD110800	800	11	196,869	235,0	160	6-M20	5.500,00
HOL312YD150800	800	15	285,775	330,2	180	6-M24	5.500,00
HOL312YD151000	1000	15	285,775	330,2	180	6-M24	10.900,00
HOL312YD151250	1250	15	285,775	330,2	180	6-M24	13.900,00